

PRODUCT BUOYANCY BILLET



Legerlite^{MD} BB buoyancy billets are the most effective you can use to build docks, boathouses, pontoons, etc. Made from rigid expanded polystyrene, they will retain their original shape and appearance for years to come. Use **Legerlite^{MD} BB** buoyancy billets.

Information and suggestions presented in this leaflet are offered in good faith based on information we believe to be reliable.

YOU'LL GET THE MOST OUT OF YOUR SUMMER!

FEATURES OF LEGERLITE^{MD} BB

Legerlite^{MD} BB :

- » Is unaffected by salt or fresh water.
- » Has no nutritive value for marine animals.
- » Is waterproof.
- » Is rigid and lightweight.
- » Is easy to install and maintenance costs are minimal.

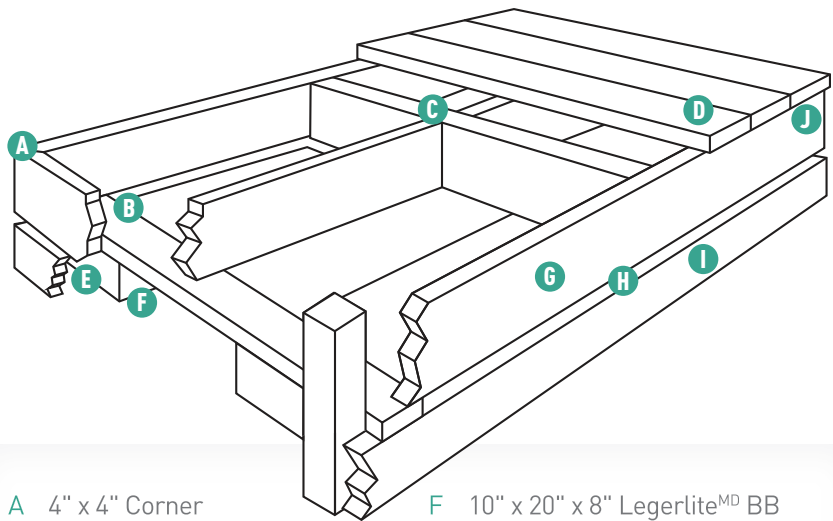
AVAILABLE SIZES

7" x 20" x 96" billets

with a buoyancy factor of 425 lb. per billet.

10" x 20" x 96" billets

with a buoyancy factor of 600 lb. per billet.



- | | | | |
|---|---------------------------|---|---|
| A | 4" x 4" Corner | F | 10" x 20" x 8" Legerlite ^{MD} BB |
| B | 1/2" x 11" Nuts and bolts | G | 2" x 10" End joist |
| C | 2" x 10" Joist | H | 2" x 6" Frame |
| D | 2" x 6" Decking | I | 2" x 6" Beam |
| E | 2" x 6" Slide | J | 1/2" x 6" Nuts and bolts |

DISTRIBUTED BY

